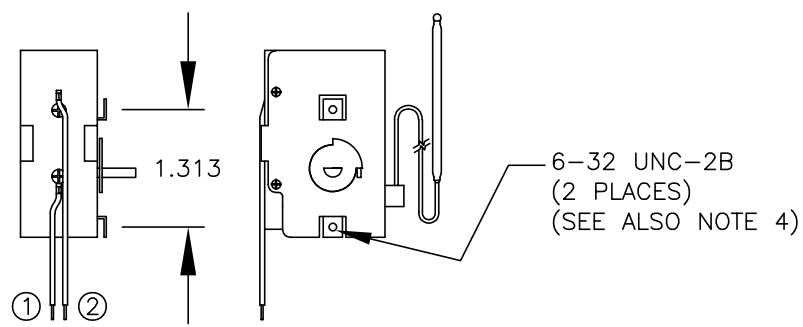


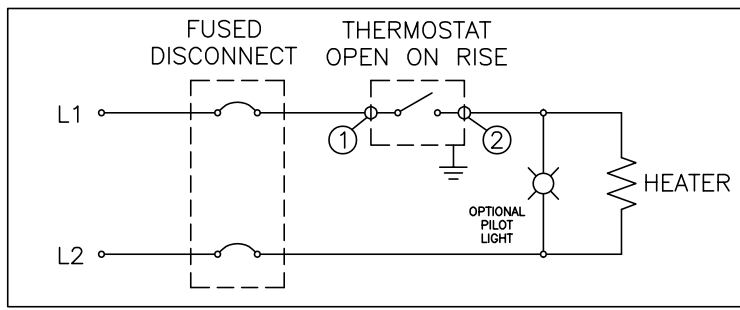
PROPRIETARY AND CONFIDENTIAL: THIS DRAWING AND THE INFORMATION WITHIN ARE PROPRIETARY TO TEMPCO ELECTRIC HEATER CORPORATION AND ARE ISSUED IN STRICT CONFIDENCE ON THE CONDITION THAT THIS DRAWING AND ANY INFORMATION CONTAINED THEREIN SHALL NOT BE COPIED, USE FOR MANUFACTURE OR SALE, OR TRANSMITTED OR DISCLOSED TO A THIRD PARTY, IN WHOLE OR IN PART, WITHOUT THE PRIOR WRITTEN CONSENT OF TEMPCO ELECTRIC HEATER CORPORATION. REMOVING THIS DOCUMENT FROM TEMPCO WITHOUT TEMPCO'S WRITTEN CONSENT IS PROHIBITED. TEMPCO ELECTRIC HEATER CORPORATION. ALL RIGHTS RESERVED.

ECO #	NO.	REVISION	DATE	BY
-------	-----	----------	------	----

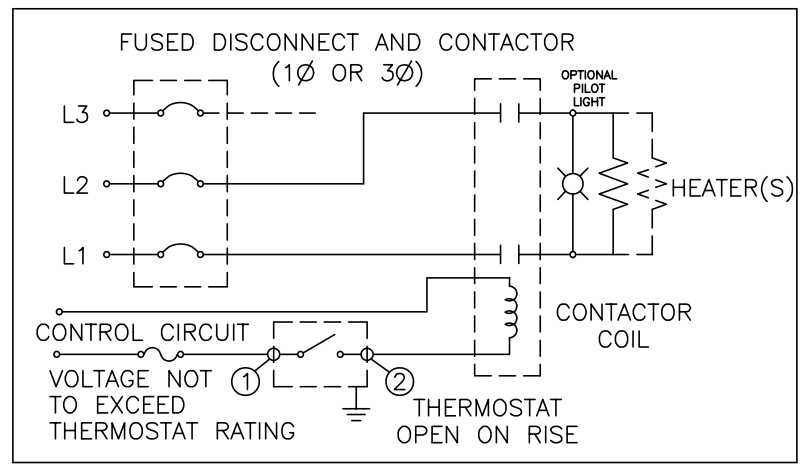


TST-101-	LOW F	HIGH F	MAX. BODY F	RATED V	RATED A	BULB LENGTH	BULB MAX. DIA.	CAPILLARY LENGTH	KNOB
101	60	250	175	125/250	25	3	0.28	12	TST-104-101
103	150	560	180	125/250	25	7.2	0.21	36	TST-104-104
105	60	180	140	240/277	22/18	4.2	0.28	6	Screw Adj
109	20	120	175	125/250	25	4.15	0.26	24	TST-104-105
118	55	115	175	125/250	25	3.7	0.26	42	TST-104-102
119	40	107	175	125/250	25	5.88	0.265	6	TST-104-102

TYPICAL CIRCUIT WHEN VOLTAGE AND/OR LINE CURRENT DOES NOT EXCEED RATINGS



CIRCUIT IF LINE VOLTAGE AND/OR CURRENT EXCEEDS THERMOSTAT RATING



WARNING: HAZARD OF ELECTRIC SHOCK. INSTALLATION MUST BE GROUNDED TO EARTH TO AVOID SHOCK HAZARD. DISCONNECT POWER TO INSTALLATION BEFORE SERVICING OR INSTALLING THERMOSTAT.

WARNING: WIRE INSULATION RATING MUST BE SUITABLE FOR THE AMBIENT TEMPERATURE OF THE WIRING INSTALLATION. AMPACITY & VOLTAGE RATINGS SHOULD BE IN ACCORDANCE WITH NEC (NATIONAL ELECTRICAL CODE) & OTHER LOCAL REGULATIONS.

CAUTION DO NOT USE THE THERMOSTAT AS A POWER SWITCH. THERMOSTATS ARE NOT A FAIL SAFE DEVICE. USE AN APPROVED LIMIT CONTROL FOR SAFE OPERATION.

CAUTION IF IN DOUBT, CONSULT A PROFESSIONAL ELECTRICIAN

- NOTES:**
1. SHAFT ROTATION IS CLOCKWISE TO INCREASE TEMPERATURE.
 2. MAXIMUM AMBIENT EXPOSURE OF THERMOSTAT BODY PER TABLE.
 3. MAXIMUM BULB EXPOSURE NOT TO EXCEED HIGH F RATING IN TABLE.
 4. MOUNTING SCREWS NOT TO PENETRATE CASE MOUNTING HOLES GREATER THAN 0.2 IN. TORQUE 7-9 IN/LBS.
 5. UL RECOGNIZED, CSA CERTIFIED.
 6. WHEN INSTALLING TEMPERATURE SENSING BULB, AVOID BENDS OR KINKING OF THE CAPILLARY TUBE.

TITLE:
**WIRING INSTRUCTIONS
 SINGLE POLE
 SINGLE THROW THERMOSTAT
 STYLE D**

DRAWN BY: CBK APPROVED: GDS REV: 14 DATE: 2/17/05 DRAWING NUMBER: IDP-119-101

TEMPCO.
 630.350.2252 WWW.TEMPCO.COM

TEMPCO Electric Heater Corporation
 607 N. Central Ave.
 Wood Dale, IL 60191-1452 U.S.A.
 Email: info@tempco.com