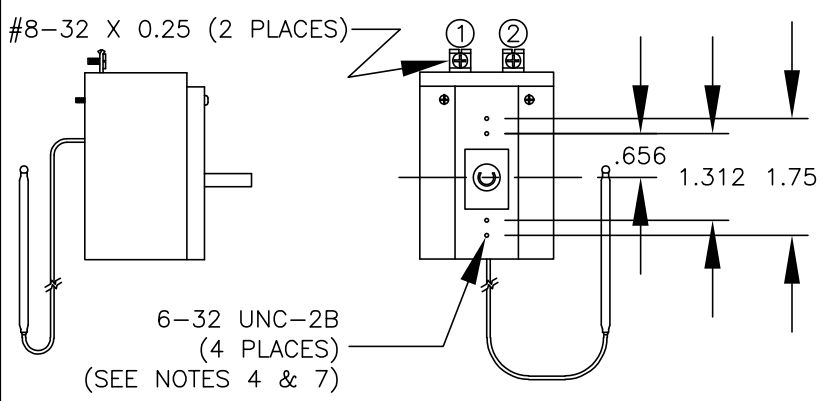


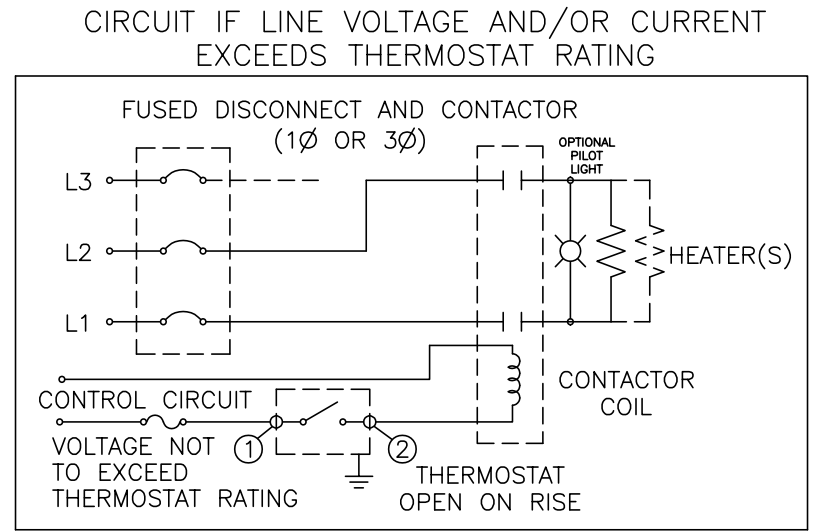
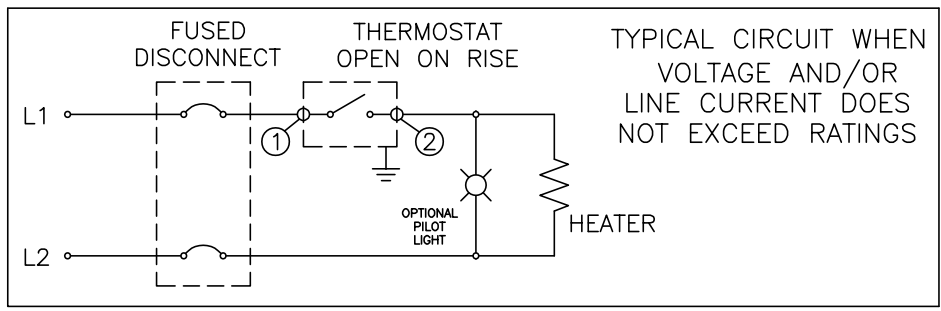
PROPRIETARY AND CONFIDENTIAL: THIS DRAWING AND THE INFORMATION WITHIN ARE PROPRIETARY TO TEMPCO ELECTRIC HEATER CORPORATION AND ARE ISSUED IN STRICT CONFIDENCE ON THE CONDITION THAT THIS DRAWING AND ANY INFORMATION CONTAINED THEREIN SHALL NOT BE COPIED, USE FOR MANUFACTURE OR SALE, OR TRANSMITTED OR DISCLOSED TO A THIRD PARTY, IN WHOLE OR IN PART, WITHOUT THE PRIOR WRITTEN CONSENT OF TEMPCO ELECTRIC HEATER CORPORATION. REMOVING THIS DOCUMENT FROM TEMPCO WITHOUT TEMPCO'S WRITTEN CONSENT IS PROHIBITED. TEMPCO ELECTRIC HEATER CORPORATION. ALL RIGHTS RESERVED.

ECO #	NO.	REVISION	DATE	BY
-------	-----	----------	------	----



TST-101-	LOW F	HIGH F	MAX. BODY F	RATED V	RATED A	BULB LENGTH	BULB MAX. DIA.	CAPILLARY LENGTH	KNOB
113	150	560	200	277/480	30/20	3.7	0.326	12	TST-104-109
121	200	400	200	125/480	30/20	5	0.3125	36	TST-104-112
127	80	194	200	277	30	5.53	0.38	18	TST-104-115
131	60	250	175	277	30	4.63	0.38	48	TST-104-103
132	150	550	175	277	30	5	0.313	48	TST-104-109
137	60	250	175	277/480	30/20	4.63	0.25	12	TST-104-103

TST-101-121 has additional set of auxiliary contacts rated 25A/240V



WARNING: HAZARD OF ELECTRIC SHOCK. INSTALLATION MUST BE GROUNDED TO EARTH TO AVOID SHOCK HAZARD. DISCONNECT POWER TO INSTALLATION BEFORE SERVICING OR INSTALLING THERMOSTAT.

WARNING: WIRE INSULATION RATING MUST BE SUITABLE FOR THE AMBIENT TEMPERATURE OF THE WIRING INSTALLATION. AMPACITY & VOLTAGE RATINGS SHOULD BE IN ACCORDANCE WITH NEC (NATIONAL ELECTRICAL CODE) & OTHER LOCAL REGULATIONS.

CAUTION DO NOT USE THE THERMOSTAT AS A POWER SWITCH. THERMOSTATS ARE NOT A FAIL SAFE DEVICE. USE AN APPROVED LIMIT CONTROL FOR SAFE OPERATION. IF IN DOUBT, CONSULT A PROFESSIONAL ELECTRICIAN

- NOTES:
1. SHAFT ROTATION IS CLOCKWISE TO INCREASE TEMPERATURE.
 2. MAXIMUM AMBIENT EXPOSURE OF THERMOSTAT BODY PER TABLE.
 3. MAXIMUM BULB EXPOSURE NOT TO EXCEED HIGH F RATING IN TABLE.
 4. MOUNTING SCREWS NOT TO PENETRATE MOUNTING CASE HOLES GREATER THAN .22 IN. TORQUE TO 7-9 IN/LBS MAX.
 5. UL RECOGNIZED, CSA CERTIFIED.
 6. WHEN INSTALLING TEMPERATURE SENSING ASSY, AVOID SHARP BENDS, KINKING OF CAPILLARY TUBE OR DAMAGE TO THE SENSING BULB.
 7. TST-101-130 HAS ONLY (2) MOUNTING THDS AT 1.125", CENTERED ON KNOB.

TITLE:
**WIRING INSTRUCTIONS
 SINGLE POLE
 SINGLE THROW
 STYLE A**

DRAWN BY: CBK APPROVED: GDS REV: 18 DATE: 7/7/05 DRAWING NUMBER: IDP-119-102

TEMPCO Electric Heater Corporation
 607 N. Central Ave.
 Wood Dale, IL 60191-1452 U.S.A.
 Email: info@tempeco.com